
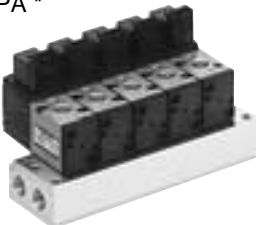
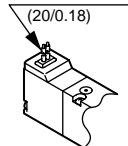
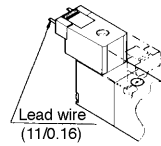
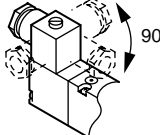
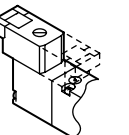
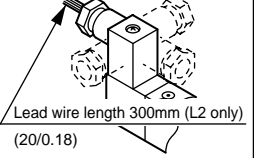
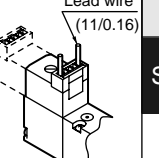
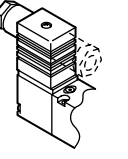
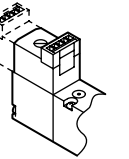
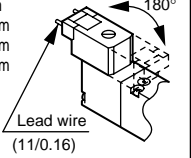
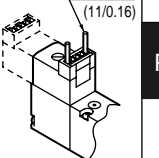
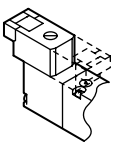
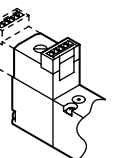
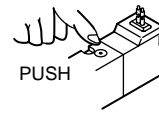
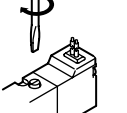
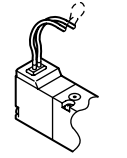
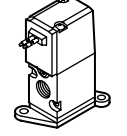


Piping method/series appearance	Model	Position No. of solenoid JIS symbol	Valve faculty		Voltage (V)	Solenoid position		A port size					Electric connection				Page
			Effective sectional area (mm ²)	Applicable cylinder bore size		2-position single	Mix manifold	Female thread		Push in joint			Grommet lead wire	Small terminal box	C-connector	D-connector	
								M5	Rc1/8	Rc1/4	4 dia.	6 dia.					
Discrete	3PA1 3PA2 	3 port	16 dia. to 40 dia.	AC100 AC200 DC24	Option AC110 AC220 DC12	●	●	●	●	●	●	●	●	●	●	●	702
								●	●	●	●	●	●	●	●	●	702
	●	●						●	●	●	●	●	●	●	●	710	
	●	●						●	●	●	●	●	●	●	●	710	
Individual wiring type manifold	M3PA* 	3 port	16 dia. to 40 dia.	AC100 AC200 DC24	Option AC110 AC220 DC12	●	●	●	●	●	●	●	●	●	●	●	710
								●	●	●	●	●	●	●	●	●	710
	●	●						●	●	●	●	●	●	●	●	710	
	●	●						●	●	●	●	●	●	●	●	710	

Electric connection		Manual override
Blank	Grommet lead wire 	C2 C-connector/surge suppressor/lead wire/light 
B	Small terminal box 	C3 C-connector/no lead wire/surge suppressor/light 
L L2	Small terminal box/lead wire/light 	D D-connector/with lead wire 
LS	Small terminal box/surge suppressor/light 	D1 D-connector/no lead wire 
C	C-connector/lead wire 	D2 D-connector/lead wire/surge suppressor/light 
C1	C-connector/no lead wire 	D3 D-connector/no lead wire/surge suppressor/light 
Blank		Non-locking 
M1		Locking 
S		Surge suppressor attached 
P		Mounting plate 

4SA/B0
4SA/B1
4GA/B
MN4GA/B
4GA/B (master)
MN3S0/
MN4S0
4TB
4L2-4/
LMFO
4KA/B
4F
PV5/
CMF
3MA/B0
3PA/B
P/M/B
NP/NAP/
NVP
4F**0E
HMV/
HSV
Uniwire
system
SKH
PCD/
FS/FD
3 port direct acting valve

• Please refer to electric connection circuit diagram on the following page.

Electric connection circuit diagram

Voltage type	Option	Electric wire circuit diagram	Wiring method
AC	-		Grommet lead wire Terminal box (B) C-connector (C/C0 */C1) D-connector (D/D0 */D1)
	Indicator light		Terminal box (L/L2)
	Surge suppressor/light		Terminal box (LS) C-connector (C2/C2 */C3) D-connector (D2/D2 */D3)
	Surge suppressor attached (Option)		Surge suppressor attached (S)
DC	-		Grommet lead wire Terminal box (B) C-connector (C/C0 */C1) D-connector (D/D0 */D1)
	Indicator light		Terminal box (L/L2) For 3PA1/3PB1, surge suppressor/indicator light is provided.
	Surge suppressor/light		Terminal box (LS) C-connector (C2/C2 */C3) D-connector (D2/D2 */D3)
	Surge suppressor attached (Option)		Surge suppressor attached (S)